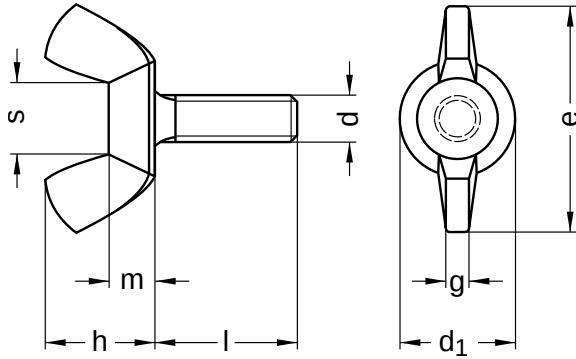


B 316

Wing screws

Angular wing shape (American form)

Stainless steel A2 | Cr(VI)-free | Metric thread



Diameter (d)	d ₁		g		e		h		m		s nominal size	Pitch (P)
	min.	max.	max.	min.	max.	min.	min.	max.	min.	max.		
M4	8.7	10.3	3.1	2.1	23.5	20.5	9.5	11.5	3.50	4.5	6.2	0.70
M5	8.7	10.3	3.1	2.1	23.5	20.5	9.5	11.5	3.50	4.5	6.2	0.80
M6	11.1	12.7	3.5	2.5	28.7	25.7	11.7	13.7	4.30	5.5	8.8	1.00
M8	12.6	14.4	3.8	2.8	32.0	28.6	13.6	16.0	4.80	6.0	9.1	1.25
M10	14.4	16.2	4.5	3.5	38.0	33.6	16.0	18.0	5.78	6.9	11.0	1.50
M12	19.5	21.5	5.5	4.5	50.0	45.0	21.0	24.0	7.30	8.5	14.4	1.75

Length (l)		Length (l)	
nominal size		nominal size	
10		35	
12		40	
16		45	
20		50	
25		55	
30		60	

Diameter (d)	Length (l)											
	10	12	16	20	25	30	35	40	45	50	55	60
M4	●	●	●	●								
M5		●	●		●							
M6	●	●	●	●	●	●	●	●				
M8	●	●	●	●	●	●		●	●	●		
M10		●	●	●	●				●	●	●	
M12						●	●	●	●		●	●

• Combinations available in the eShop | Other sizes on request

All technical data refer to the measure mm

