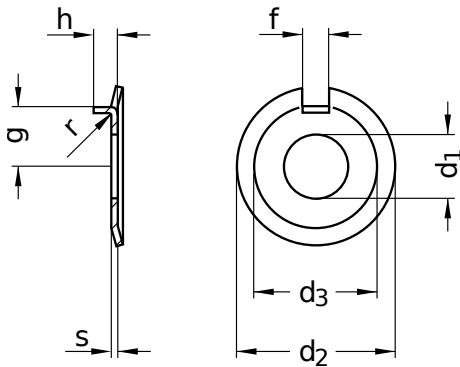


DIN 432
Washers

With external tab

Stainless steel A2 | Cr(VI)-free

Further information: Norm has been withdrawn without replacement



Diameter (d)	d ₁ nominal size	d ₂ nominal size	d ₃ nominal size	f nominal size	g nominal size	h nominal size	r nominal size	s nominal size
4.3	4.3	14	10	2.5	5.5	2.0	0.4	0.40
5.3	5.3	17	12	3.5	7	2.5	0.6	0.75
6.4	6.4	19	14	3.5	7.5	3.0	0.6	0.75
8.4	8.4	22	16	3.5	8.5	4.0	1	1.00
10.5	10.5	26	20	4.5	10	4.0	1	1.00
13	13	30	24	4.5	12	4.5	1	1.20
15	15	33	27	4.5	13	4.5	1	1.20
17	17	36	30	5.5	15	4.5	1	1.20
19	19	40	34	6.5	18	4.5	1	1.20
21	21	42	36	6.5	18	4.5	1	1.60
25	25	50	43	7.5	21	6.5	1	1.60
31	31	63	55	8.5	25	9.5	1	1.60
34	34	68	60	9.5	28	9.5	1	1.60
40	40	82	74	11.0	33	11.0	1	2.00

All technical data refer to the measure mm

