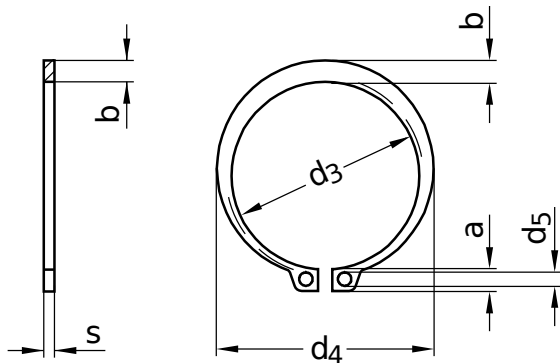


DIN 471

Lock rings

For shafts | regular version

Spring steel | bright | Cr(VI)-free



Diameter (d)	a max.	b	d ₁ nominal size	d ₃		d ₄	d ₅	s			
				nominal size	min.			max.	nominal size	min.	max.
3	1.9	0.8	3	2.7	2.55	2.74	7.0	1.0	0.40	0.35	0.40
4	2.2	0.9	4	3.7	3.55	3.74	8.5	1.0	0.40	0.35	0.40
5	2.5	1.1	5	4.7	4.55	4.74	10.3	1.0	0.60	0.55	0.60
6	2.7	1.3	6	5.6	5.45	5.64	11.7	1.2	0.70	0.65	0.70
7	3.1	1.4	7	6.5	6.32	6.56	13.5	1.2	0.80	0.75	0.80
8	3.2	1.5	8	7.4	7.22	7.46	14.7	1.2	0.80	0.75	0.80
9	3.3	1.7	9	8.4	8.22	8.46	16.0	1.2	1.00	0.94	1.00
10	3.3	1.8	10	9.3	8.94	9.40	17.0	1.5	1.00	0.94	1.00
11	3.3	1.8	11	10.2	9.84	10.30	18.0	1.5	1.00	0.94	1.00
12	3.3	1.8	12	11	10.64	11.10	19.0	1.7	1.00	0.94	1.00
13	3.4	2.0	13	11.9	11.54	12.00	20.2	1.7	1.00	0.94	1.00
14	3.5	2.1	14	12.9	12.54	13.00	21.4	1.7	1.00	0.94	1.00
15	3.6	2.2	15	13.8	13.44	13.90	22.6	1.7	1.00	0.94	1.00
				13.8							
16	3.7	2.2	16	14.7	14.34	14.80	23.8	1.7	1.00	0.94	1.00
17	3.8	2.3	17	15.7	15.34	15.80	25.0	1.7	1.00	0.94	1.00
18	3.9	2.5	18	16.5	16.14	16.60	26.2	2.0	1.20	1.14	1.20
19	3.9	2.5	19	17.5	17.14	17.60	27.2	2.0	1.20	1.14	1.20
20	4.0	2.6	20	18.5	18.08	18.63	28.4	2.0	1.20	1.14	1.20
21	4.1	2.7	21	19.5	19.08	19.63	29.6	2.0	1.20	1.14	1.20
22	4.2	2.8	22	20.5	20.08	20.63	30.8	2.0	1.20	1.14	1.20
24	4.4	3.0	24	22.2	21.78	22.41	33.2	2.0	1.20	1.14	1.20
25	4.4	3.0	25	23.2	22.78	23.41	34.2	2.0	1.20	1.14	1.20
26	4.5	3.1	26	24.2	23.78	24.41	35.5	2.0	1.20	1.14	1.20
28	4.7	3.2	28	25.9	25.48	26.11	37.9	2.0	1.50	1.44	1.50
29	4.8	3.4	29	26.9	26.48	27.11	39.1	2.0	1.50	1.44	1.50
30	5.0	3.5	30	27.9	27.48	28.11	40.5	2.0	1.50	1.44	1.50
32	5.2	3.6	32	29.6	29.18	29.81	43.0	2.5	1.50	1.44	1.50
34	5.4	3.8	34	31.5	31.00	31.75	45.4	2.5	1.50	1.44	1.50
35	5.6	3.9	35	32.2	31.70	32.45	46.8	2.5	1.50	1.44	1.50
36	5.6	4.0	36	33.2	32.70	33.45	47.8	2.5	1.75	1.69	1.75
38	5.8	4.2	38	35.2	34.70	35.45	50.2	2.5	1.75	1.69	1.75

All technical data refer to the measure mm



DIN 471

Lock rings

For shafts | regular version

Spring steel | bright | Cr(VI)-free

Diameter (d)	a max.	b	d ₁ nominal size	d ₃		d ₄	d ₅	s			
				nominal size	min.			max.	nominal size	min.	max.
40	6.0	4.4	40	36.5	35.60	36.89	52.6	2.5	1.75	1.69	1.75
42	6.5	4.5	42	38.5	37.60	38.89	55.7	2.5	1.75	1.69	1.75
45	6.7	4.7	45	41.5	40.60	41.89	59.1	2.5	1.75	1.69	1.75
48	6.9	5.0	48	44.5	43.60	44.89	62.5	2.5	1.75	1.69	1.75
50	6.9	5.1	50	45.8	44.90	46.19	64.5	2.5	2.00	1.93	2.00
52	7.0	5.2	52	47.8	46.90	48.19	66.7	2.5	2.00	1.93	2.00
55	7.2	5.4	55	50.8	49.70	51.26	70.2	2.5	2.00	1.93	2.00
56	7.3	5.5	56	51.8	50.70	52.26	71.6	2.5	2.00	1.93	2.00
58	7.3	5.6	58	53.8	52.70	54.26	73.6	2.5	2.00	1.93	2.00
60	7.4	5.8	60	55.8	54.70	56.26	75.6	2.5	2.00	1.93	2.00
62	7.5	6.0	62	57.8	56.70	58.26	77.8	2.5	2.00	1.93	2.00
63	7.6	6.2	63	58.8	57.70	59.26	79.0	2.5	2.00	1.93	2.00
65	7.8	6.3	65	60.8	59.70	61.26	81.4	3.0	2.50	2.43	2.50
68	8.0	6.5	68	63.5	62.40	63.96	84.8	3.0	2.50	2.43	2.50
70	8.1	6.6	70	65.5	64.40	65.96	87.0	3.0	2.50	2.43	2.50
72	8.2	6.8	72	67.5	66.40	67.96	89.2	3.0	2.50	2.43	2.50
75	8.4	7.0	75	70.5	69.40	70.96	92.7	3.0	2.50	2.43	2.50
78	8.6	7.3	78	73.5	72.40	73.96	96.1	3.0	2.50	2.43	2.50
80	8.6	7.4	80	74.5	73.40	74.96	98.1	3.0	2.50	2.43	2.50
85	8.7	7.8	85	79.5	78.40	79.96	103.3	3.5	3.00	2.92	3.00
88	8.8	8.0	88	82.5	81.20	83.04	106.5	3.5	3.00	2.92	3.00
90	8.8	8.2	90	84.5	83.20	85.04	108.5	3.5	3.00	2.92	3.00
95	89.5	8.6	95	89.5	88.20	90.04	114.8	3.5	3.00	2.92	3.00
100	9.6	9.0	100	94.5	93.20	95.04	120.2	3.5	3.00	2.92	3.00
105	9.9	9.3	105	98	96.70	98.54	125.8	3.5	4.00	3.90	4.00
110	10.1	9.6	110	103	101.70	103.54	131.2	3.5	4.00	3.90	4.00
115	10.6	9.8	115	108	106.70	108.54	137.3	3.5	4.00	3.90	4.00
120	11.0	10.2	120	113	111.70	113.54	143.1	3.5	4.00	3.90	4.00
125	11.4	10.4	125	118	116.70	118.54	149.0	4.0	4.00	3.90	4.00
130	11.6	10.7	130	123	121.50	123.63	154.4	4.0	4.00	3.90	4.00
135	11.8	11.0	135	128	126.50	128.63	159.8	4.0	4.00	3.90	4.00
140	12.0	11.2	140	133	131.50	133.63	165.2	4.0	4.00	3.90	4.00
145	12.2	11.5	145	138	136.50	138.63	170.6	4.0	4.00	3.90	4.00
150	13.0	11.8	150	142	140.50	142.63	177.3	4.0	4.00	3.90	4.00
155	13.0	12.0	155	146	144.50	146.63	182.3	4.0	4.00	3.90	4.00
160	13.3	12.2	160	151	149.50	151.63	188.0	4.0	4.00	3.90	4.00
170	13.5	12.9	170	160.5	159.00	161.13	198.4	4.0	4.00	3.90	4.00
180	14.2	13.5	180	170.4	168.90	171.03	210.0	4.0	4.00	3.90	4.00
190	14.2	140.0	190	180.5	178.80	181.22	220.0	4.0	4.00	3.90	4.00
195	14.2	140.0	195	185.5	183.80	186.22	225.0	4.0	4.00	3.90	4.00
200	14.2	14.0	200	190.5	188.80	191.22	230.0	4.0	4.00	3.90	4.00
220	14.2	14.0	220	208	206.30	208.72	250.0	4.0	5.00	4.88	5.00
230	14.2	14.0	230	218	216.30	218.72	260.0	4.0	5.00	4.88	5.00
240	14.2	140.0	240	228	226.30	228.72	270.0	4.0	5.00	4.88	5.00
260	16.2	16.0	260	245	243.30	245.72	294.0	5.0	5.00	4.88	5.00
280	16.2	16.0	280	265	263.00	265.81	314.0	5.0	5.00	4.88	5.00

All technical data refer to the measure mm

