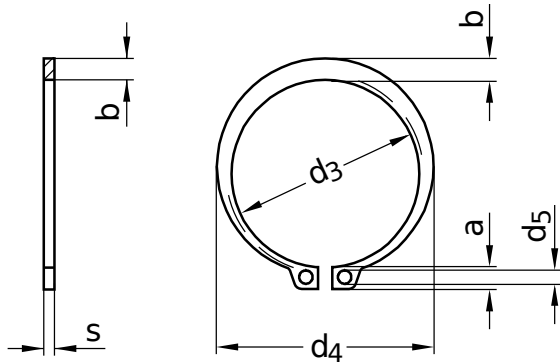


DIN 471

Lock rings

For shafts | regular version

Spring steel | zinc-plated | Cr(VI)-free



Diameter (d)	a max.	b	d ₁		d ₃		d ₄	d ₅	s		
			nominal size	nominal size	min.	max.			nominal size	min.	max.
8	3.2	1.5	8	7.4	7.22	7.46	14.7	1.2	0.80	0.75	0.80
9	3.3	1.7	9	8.4	8.22	8.46	16.0	1.2	1.00	0.94	1.00
10	3.3	1.8	10	9.3	8.94	9.40	17.0	1.5	1.00	0.94	1.00
12	3.3	1.8	12	11	10.64	11.10	19.0	1.7	1.00	0.94	1.00
14	3.5	2.1	14	12.9	12.54	13.00	21.4	1.7	1.00	0.94	1.00
15	3.6	2.2	15	13.8	13.44	13.90	22.6	1.7	1.00	0.94	1.00
16	3.7	2.2	16	14.7	14.34	14.80	23.8	1.7	1.00	0.94	1.00
20	4.0	2.6	20	18.5	18.08	18.63	28.4	2.0	1.20	1.14	1.20
24	4.4	3.0	24	22.2	21.78	22.41	33.2	2.0	1.20	1.14	1.20
25	4.4	3.0	25	23.2	22.78	23.41	34.2	2.0	1.20	1.14	1.20
30	5.0	3.5	30	27.9	27.48	28.11	40.5	2.0	1.50	1.44	1.50
35	5.6	3.9	35	32.2	31.70	32.45	46.8	2.5	1.50	1.44	1.50
40	6.0	4.4	40	36.5	35.60	36.89	52.6	2.5	1.75	1.69	1.75
45	6.7	4.7	45	41.5	40.60	41.89	59.1	2.5	1.75	1.69	1.75
50	6.9	5.1	50	45.8	44.90	46.19	64.5	2.5	2.00	1.93	2.00
80	8.6	7.4	80	74.5	73.40	74.96	98.1	3.0	2.50	2.43	2.50
150	13.0	11.8	150	142	140.50	142.63	177.3	4.0	4.00	3.90	4.00

All technical data refer to the measure mm

