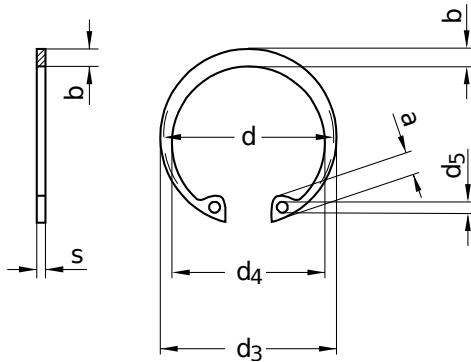


DIN 472

Lock rings

For drilling | regular version

Stainless steel 1.4122 | Cr(VI)-free



Diameter (d)	a max.	b	nominal size	d ₃		d ₄	d ₅	s	
				min.	max.			min.	max.
8	2.4	1.1	8.7	8.60	9.06	3.0	1.0	0.75	0.80
9	2.5	1.3	9.8	9.70	10.16	3.7	1.0	0.75	0.80
10	3.2	1.4	10.8	10.70	11.16	3.3	1.2	0.94	1.00
11	3.3	1.5	11.8	11.70	12.16	4.1	1.2	0.94	1.00
12	3.4	1.7	13	12.90	13.36	4.9	1.5	0.94	1.00
13	3.6	1.8	14.1	14.00	14.46	5.4	1.5	0.94	1.00
14	3.7	1.9	15.1	15.00	15.46	6.2	1.7	0.94	1.00
15	3.7	2.0	16.2	16.10	16.56	7.2	1.7	0.94	1.00
16	3.8	2.0	17.3	17.20	17.66	8.0	1.7	0.94	1.00
17	3.9	2.1	18.3	18.17	18.72	8.8	1.7	0.94	1.00
18	4.1	2.2	19.5	19.37	19.92	9.4	2.0	0.94	1.00
19	4.1	2.2	20.5	20.37	20.92	10.4	2.0	0.94	1.00
20	4.2	2.3	21.5	21.37	21.92	11.2	2.0	0.94	1.00
21	4.2	2.4	22.5	22.37	22.92	12.2	2.0	0.94	1.00
22	4.2	2.5	23.5	23.37	23.92	13.2	2.0	0.94	1.00
24	4.4	2.6	25.9	25.69	26.32	14.8	2.0	1.14	1.20
25	4.5	2.7	26.9	26.69	27.32	15.5	2.0	1.14	1.20
26	4.7	2.8	27.9	27.69	28.32	16.1	2.0	1.14	1.20
28	4.8	2.9	30.1	29.85	30.60	17.9	2.0	1.14	1.20
30	4.8	3.0	32.1	31.85	32.60	19.9	2.0	1.14	1.20
31	5.2	3.2	33.4	33.15	33.90	20.0	2.5	1.14	1.20
34	5.4	3.3	36.5	36.25	37.00	22.6	2.5	1.44	1.50
35	5.4	3.4	37.8	37.55	38.30	23.6	2.5	1.44	1.50
36	5.4	3.5	38.8	38.55	39.30	24.6	2.5	1.44	1.50
37	5.5	3.6	39.8	39.55	40.30	25.4	2.5	1.44	1.50
38	5.5	3.7	40.8	40.55	41.30	26.4	2.5	1.44	1.50
			40.8						
40	5.8	3.9	43.5	43.11	44.40	27.8	2.5	1.69	1.75
42	5.9	4.1	45.5	45.11	46.40	29.6	2.5	1.69	1.75
45	6.2	4.3	48.5	48.11	49.40	32.0	2.5	1.69	1.75
47	6.4	4.4	50.5	50.04	51.60	33.5	2.5	1.69	1.75
48	6.4	4.5	51.5	51.04	52.60	34.5	2.5	1.69	1.75

All technical data refer to the measure mm



DIN 472

Lock rings

For drilling | regular version

Stainless steel 1.4122 | Cr(VI)-free

Diameter (d)	a max.	b	nominal size	d ₃		d ₄	d ₅	s	
				min.	max.			min.	max.
50	6.5	4.6	54.2	53.74	55.30	36.3	2.5	1.93	2.00
52	6.7	4.7	56.2	55.74	57.30	37.9	2.5	1.93	2.00
55	6.8	5.0	59.2	58.74	60.30	40.7	2.5	1.93	2.00
56	6.8	5.1	60.2	59.74	61.30	41.7	2.5	1.93	2.00
58	6.9	5.2	62.2	61.74	63.30	43.5	2.5	1.93	2.00
60	7.3	5.4	64.2	63.74	65.30	44.7	2.5	1.93	2.00
62	7.3	5.5	66.2	65.74	67.30	46.7	2.5	1.93	2.00
63	7.3	5.6	67.2	66.74	68.30	47.7	2.5	1.93	2.00
65	7.6	5.8	69.2	68.74	70.30	49.0	3.0	2.43	2.50
68	7.8	6.1	72.5	72.04	73.60	51.6	3.0	2.43	2.50
70	7.8	6.2	74.5	74.04	75.60	53.6	3.0	2.43	2.50
72	7.8	6.4	76.5	76.04	77.60	55.6	3.0	2.43	2.50
75	7.8	6.6	79.5	79.04	80.60	58.6	3.0	2.43	2.50
80	8.5	7.0	85.5	84.96	86.80	62.1	3.0	2.43	2.50
82	8.5	7.0	87.5	86.96	88.80	64.1	3.0	2.43	2.50
85	8.6	7.2	90.5	89.96	91.80	66.9	3.5	2.92	3.00
90	8.6	7.6	95.5	94.96	96.80	71.9	3.5	2.92	3.00
100	9.2	8.4	105.5	104.96	106.80	80.6	3.5	2.92	3.00
110	10.4	9.0	117	116.46	118.30	88.2	3.5	3.90	4.00

All technical data refer to the measure mm

