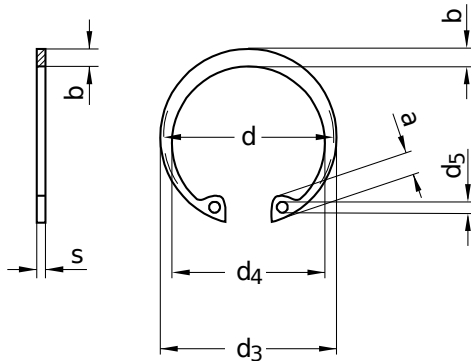


**DIN 472**

**Lock rings**

For drilling | heavy duty

Spring steel | Cr(VI)-free



Diameter (d)	a max.	b	nominal size	d <sub>3</sub>		d <sub>4</sub>	d <sub>5</sub>
				min.	max.		
30	5.5	3.3	32.1	31.85	32.6	18.4	2.0
37	5.5	3.6	39.8	39.55	40.3	25.4	2.5
42	6.7	4.1	45.5	45.11	46.6	27.9	2.5
52	7.7	4.7	56.2	55.74	57.3	35.8	2.5
62	8.6	5.5	66.2	65.74	67.3	43.9	2.5
65	8.7	5.8	69.2	68.74	70.3	46.7	3.0
72	9.2	6.4	76.5	76.04	77.6	52.7	3.0
80	9.5	7.0	85.5	84.96	86.8	60.0	3.0
85	9.7	7.2	90.5	89.96	91.8	64.5	3.5
90	10.0	7.6	95.5	94.96	96.8	69.0	3.5
100	10.5	8.4	105.5	104.96	106.8	78.0	3.5
120	-	9.7	127	126.37	128.5	-	3.5

All technical data refer to the measure mm

