

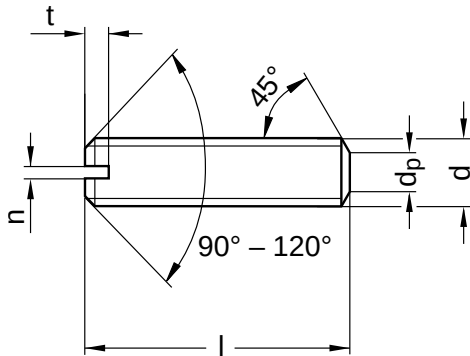
DIN 551 similar to ISO 4766

Set screws

With slot and chamfer end

Brass | Cr(VI)-free | Metric thread

Further information: DIN standard has been withdrawn



Diameter (d)	d _p		nominal size	n		Pitch (P)	t	
	min.	max.		min.	max.		max.	min.
M3	1.75	2.0	0.4	0.46	0.60	0.50	1.05	0.80
M4	2.25	2.5	0.6	0.66	0.80	0.70	1.42	1.12
M5	3.20	3.5	0.8	0.86	1.00	0.80	1.63	1.28
M6	3.70	4.0	1.0	1.06	1.20	1.00	2.00	1.60
M8	5.20	5.5	1.2	1.26	1.51	1.25	2.50	2.00
M10	6.64	7.0	1.6	1.66	1.91	1.50	3.00	2.40

nominal size	Length (l)	
	min.	max.
3	2.80	3.20
4	3.75	4.25
5	4.75	5.25
6	5.70	6.30
8	7.70	8.30
10	9.70	10.30

nominal size	Length (l)	
	min.	max.
12	11.60	12.40
16	15.60	16.40
20	19.60	20.40
25	24.60	25.40
30	29.60	30.40
35	34.50	35.50

Diameter (d)	Length (l)											
	3	4	5	6	8	10	12	16	20	25	30	35
M3	●	●	●	●	●	●	●					
M4		●	●	●	●	●	●	●				
M5			●	●	●	●	●	●	●			
M6				●	●	●	●	●	●	●	●	
M8					●	●	●	●	●	●	●	●
M10						●	●	●	●	●		

• Combinations available in the eShop | Other sizes on request

All technical data refer to the measure mm

