

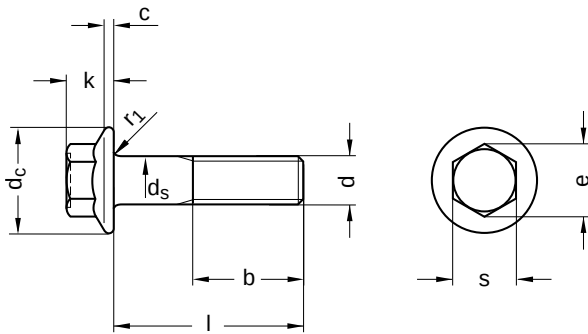
DIN 6921 similar to EN 1665

Hexagon head bolts

With flange | hexagon head

Stainless steel A2 | Cr(VI)-free | Metric thread

Further information: DIN-standard has been withdrawn | different spanner widths for M10, M12, M14 and M22 | changed head height



Diameter (d)	b		c min.	dc max.	ds		k max.	e min.	r1 nominal size	s		Pitch (P)	Tool size
	l up to 125	l up to 200			min.	max.				min.	max.		
M5	16	–	1.0	11.8	4.82	5	5.4	8.71	0.25	7.78	8	0.80	SW 8
M6	18	–	1.1	14.2	5.82	6	6.6	10.95	0.40	9.78	10	1.00	SW 10
M8	22	28	1.2	18.0	7.78	8	8.1	14.26	0.40	12.73	13	1.25	SW 13
M10	26	32	1.5	22.3	9.78	10	9.2	16.50	0.40	14.73	15	1.50	SW 15
M12	30	36	1.8	26.6	11.73	12	11.5	17.62	0.60	15.73	16	1.75	SW 16

nominal size	Length (l)	
	min.	max.
10	9.71	10.29
12	11.65	12.35
16	15.65	16.35
20	19.58	20.42
25	24.58	25.42
30	29.58	30.42

nominal size	Length (l)	
	min.	max.
35	34.50	35.50
40	39.50	40.50
45	44.50	45.50
50	49.50	50.50
70	69.40	70.60

Diameter (d)	Length (l)										
	10	12	16	20	25	30	35	40	45	50	70
M5	●	●	●	●	●						
M6		●	●	●	●	●	●	●	●	●	
M8			●	●	●	●	●			●	●
M10				●	●	●					
M12					●						

● Combinations available in the eShop | Other sizes on request

All technical data refer to the measure mm

