

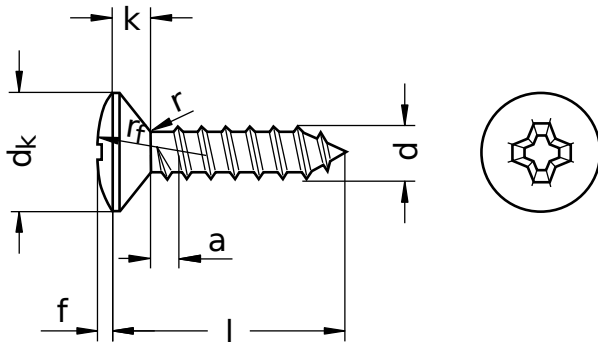
DIN 7983 similar to ISO 7051

Tapping screws

Raised countersunk head | cross-slot phillips | form C with cone point

Stainless steel A2 | Cr(VI)-free | Thread type ST (sheet metal)

Further information: DIN-standard has been withdrawn | changed head measurements



Diameter (d)	a max.	dk		f	k nominal size	rf	r max.	Pitch (P)	Tool size
		min.	max.						
2.2	0.8	4.00	4.3	0.7	1.3	3.8	0.8	0.8	H1
2.9	1.1	5.20	5.5	0.9	1.7	4.6	1.1	1.1	H1
3.5	1.3	6.44	6.8	1.2	2.1	5.4	1.4	1.3	H2
3.9	1.3	7.14	7.5	1.3	2.3	6.0	1.5	1.3	H2
4.2	1.4	7.74	8.1	1.4	2.5	6.6	1.6	1.4	H2
4.8	1.6	9.14	9.5	1.5	3.0	8.2	1.9	1.6	H2
5.5	1.8	10.37	10.8	1.7	3.4	9.4	2.1	1.8	H3
6.3	1.8	11.97	12.4	2.0	3.8	11.1	2.4	1.8	H3

nominal size	Length (l)	
	min.	max.
6.5	5.7	7.3
9.5	8.7	10.3
13.0	12.2	13.8
16.0	15.2	16.8
19.0	18.2	19.8
22.0	21.2	22.8

nominal size	Length (l)	
	min.	max.
25.0	24.2	25.8
32.0	31.2	33.3
38.0	37.2	39.3

All technical data refer to the measure mm



DIN 7983 similar to ISO 7051

Tapping screws

Raised countersunk head | cross-slot phillips | form C with cone point

Stainless steel A2 | Cr(VI)-free | Thread type ST (sheet metal)

Diameter (d)	Length (l)								
	6.5	9.5	13	16	19	22	25	32	38
2.2	●	●	●	●					
2.9	●	●	●	●	●				
3.5		●	●	●	●	●	●		
3.9			●	●	●	●	●		
4.2		●	●	●	●	●	●		●
4.8		●		●	●	●	●	●	
5.5			●	●	●	●	●		●
6.3			●		●	●			●

• Combinations available in the eShop | Other sizes on request

All technical data refer to the measure mm

