

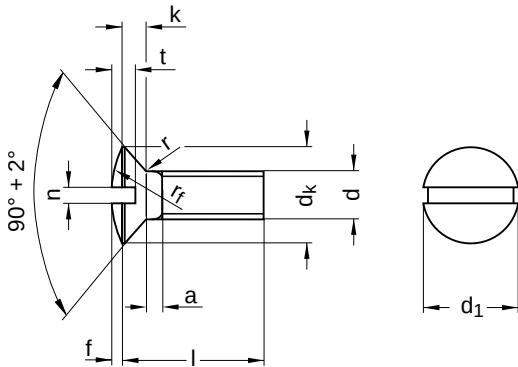
DIN 964 similar to ISO 2010

Raised countersunk head screws

With slot | Form A

Steel 4.8 | zinc-plated | Cr(VI)-free | Metric thread

Further information: DIN standard has been withdrawn



Diameter (d)	a max.	d _k		f	k max.	nominal size	n		r _f	r max.	Pitch (P)	t	
		min.	max.				min.	max.				max.	min.
M3	1.0	5.30	5.6	0.75	1.65	0.8	0.86	1.00	6	0.3	0.50	1.45	1.2
M4	1.4	7.14	7.5	1.00	2.20	1.0	1.06	1.20	8	0.4	0.70	1.90	1.6
M5	1.6	8.84	9.2	2.50	1.25	1.2	1.26	1.51	10	0.5	0.80	2.30	2.0
M6	2.0	10.57	11.0	3.00	1.50	1.6	1.66	1.91	12	0.6	1.00	2.80	2.4
M8	2.5	14.07	14.5	4.00	2.00	2.0	2.06	2.31	16	0.8	1.25	3.70	3.2

nominal size	Length (l)	
	min.	max.
5	4.76	5.24
6	5.76	6.24
8	7.70	8.30
10	9.70	10.30
12	11.65	12.35
16	15.65	16.35
20	19.60	20.40
25	24.60	25.40

nominal size	Length (l)	
	min.	max.
30	29.60	30.40
35	34.50	35.50
40	39.50	40.50
45	44.50	45.50
50	49.50	50.50
60	59.40	60.60

Diameter (d)	Length (l)													
	5	6	8	10	12	16	20	25	30	35	40	45	50	60
M3	●	●	●	●	●	●	●	●	●					
M4		●	●	●	●	●	●	●	●	●	●	●	●	
M5			●	●	●	●	●	●	●	●	●	●	●	●
M6				●	●	●	●	●	●	●	●	●	●	●
M8					●	●	●	●	●	●	●	●	●	●

• Combinations available in the eShop | Other sizes on request

All technical data refer to the measure mm

