

E 1413

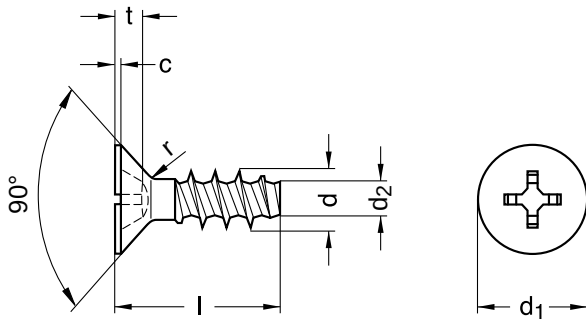
EJOT®-PT screws

Countersunk head | cross-slot phillips

Steel 10 | zinc-plated | Cr(VI)-free | Self-tapping thread

Further information: For further information and CAD-files please follow the link to the EJOT-homepage:

<http://www.ejot.com/industry>



Diameter (d)	c max.	d ₁ nominal size	d ₂ nominal size	r nominal size	Pitch (P)	t		Tool size
						max.	min.	
2.2	0.35	3.8	1.25	Verstärkungskegel	0.98	1.25	0.95	H1
2.5	0.55	4.7	1.4	1	1.12	1.43	0.97	H1
3	0.55	5.5	1.66	1.2	1.34	1.56	1.10	H1
3.5	0.65	7.3	1.91	1.4	1.57	1.96	1.33	H2
4	0.70	8.4	2.17	1.6	1.79	2.22	1.59	H2
5	0.75	9.3	2.68	2	2.24	2.67	2.04	H2
6	0.85	11.3	3.19	2.4	2.69	3.22	2.59	H2

nominal size	Length (l)	
	min.	max.
6	5.62	6.38
8	7.55	8.45
10	9.55	10.45
12	11.45	12.55
14	13.45	14.55
16	15.45	16.55

nominal size	Length (l)	
	min.	max.
18	17.45	18.55
20	19.35	20.65
22	21.35	22.65
25	24.35	25.65
30	29.35	30.65

All technical data refer to the measure mm



E 1413

EJOT®-PT screws

Countersunk head | cross-slot phillips

Steel 10 | zinc-plated | Cr(VI)-free | Self-tapping thread

Diameter (d)	Length (l)										
	6	8	10	12	14	16	18	20	22	25	30
2.2	●	●	●	●		●					
2.5	●	●	●	●		●		●			
3		●	●	●	●	●	●	●			
3.5		●	●	●	●	●	●	●		●	
4			●	●		●	●	●	●		
5						●					
6						●					●

• Combinations available in the eShop | Other sizes on request

All technical data refer to the measure mm

